

**INTRODUCING
NEW
DVXECO**



VOLTAS LIMITED

MATERIALS HANDLING BUSINESS DIVISION

A **TATA** Enterprise

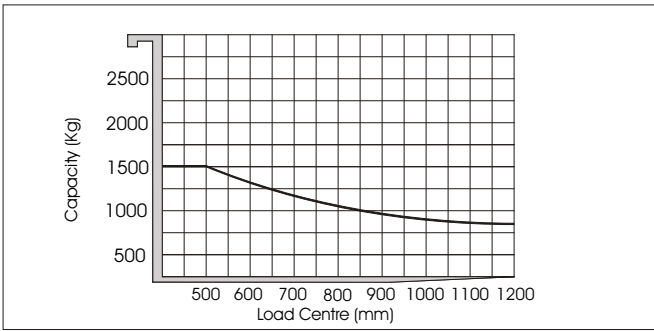
ECONOMY DIESEL FORKLIFT

**COST-EFFECTIVE
CONSISTENT PERFORMANCE
EXCELLENT PRODUCTIVITY**

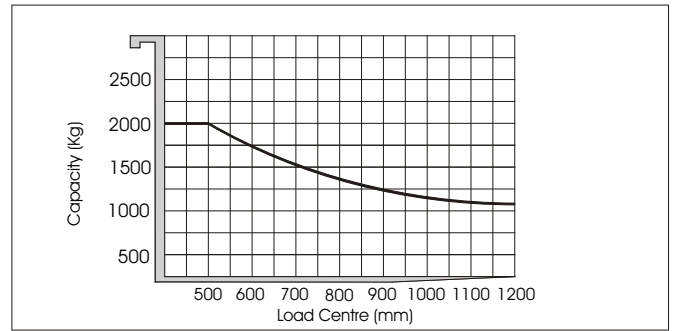
Capacity : 1500 / 2000 / 2500 / 3000 kg at 500 mm LC



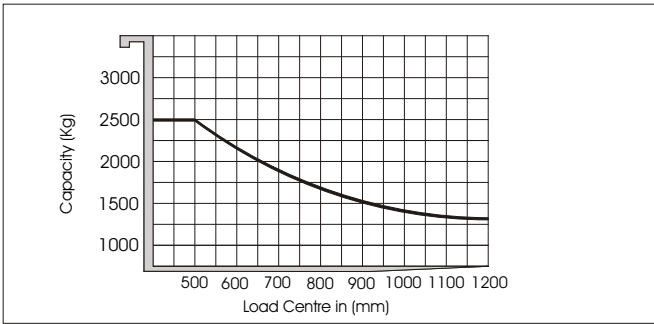
DVX 15 ECO



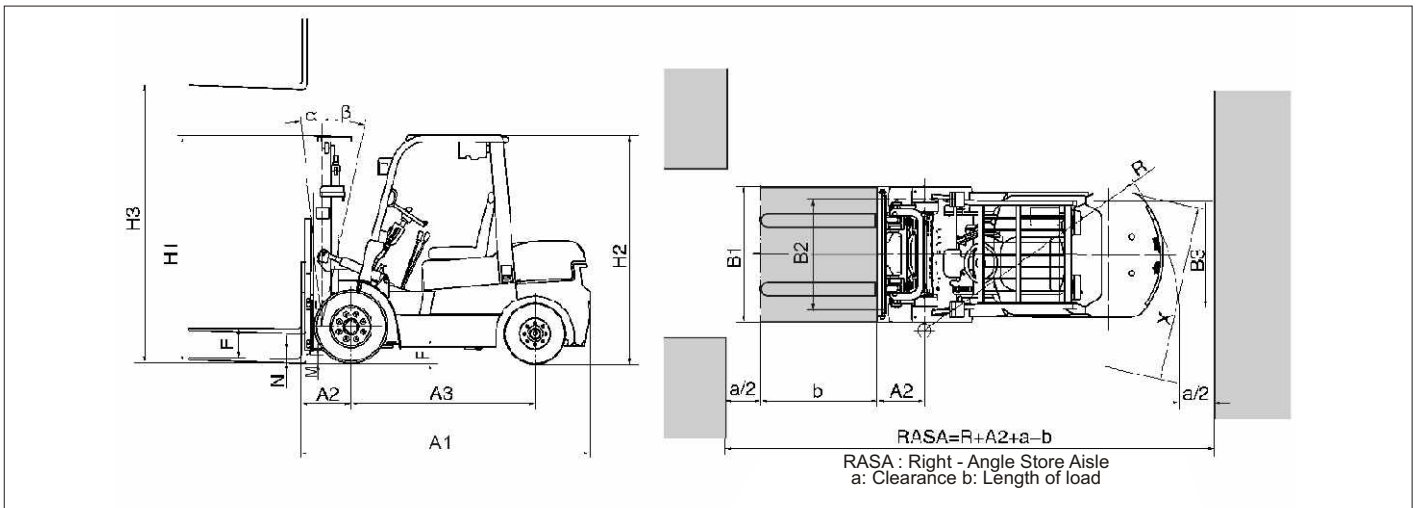
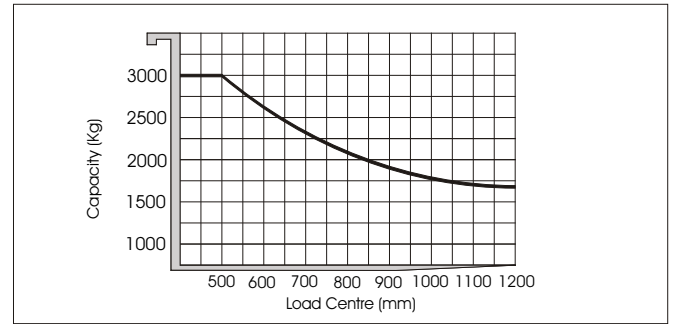
DVX 20 ECO



DVX 25 ECO



DVX 30 ECO



MAST CONFIGURATIONS

TYPE OF MAST	MAST MODEL mm	OAH H1 mm	FFH E mm	MFH	MAST HEIGHT EXTENDED (H3) mm	TILT ANGLE DEGREE FWD / BWD	CAPACITY (kg) at MFH @ 500 mm LC				
							DVX 15 ECO	DVX 18 ECO	DVX 20 ECO	DVX 25 ECO	DVX 30 ECO
2-Stage	HVM 300	1996	164	3000	4030	6 / 12'	1500	1750	2000	2500	3000
2-Stage	HVM 330	2146	164	3300	4330	6 / 12'	1500	1750	2000	2500	3000
2-Stage	HVM 350	2246	164	3500	4530	6 / 12'	1500	1750	2000	2500	3000
2-Stage	HVM 400	2546	164	4000	5030	6 / 6'	1400	1650	1900	2300	2900
2-Stage	HVM 450	2796	164	4500	5530	6 / 6'	1250	1600	1600	1800	2500
2-Stage	HVM 550	3346	164	5500	6530	6 / 6'	1000(1)	1100(1)	1500(1)	1200	2400(1)
2-Stage	HVM 600	3596	164	6000	7030	6 / 6'	800(1)	900(1)	1300(1)	1400(1)	2000(1)
2-Stage	HVD 350	2246	1731	3500	4540	6 / 12'	1500	1750	2000	2500	3000
2-Stage	HVD 400	2546	2031	4000	5040	6 / 6'	1400	1600	1900	2300	2900
2-Stage	HVD 450	2796	2281	4500	5540	6 / 6'	1250	1300	1600	1800	2500
2-Stage	HVD 550	3346	2831	5500	6530	6 / 6'	1000(1)	1100(1)	1500(1)	1700(1)	2400(1)
3-Stage	HVT450	2105	1590	4500	5530	6 / 6'	1200	1350	1600	1800	2450
3-Stage	HVT 480	2205	1690	4800	5830	6 / 6'	1100	1150	1400	1700	2200
3-Stage	HVT 500	2305	1790	5000	6030	6 / 6'	900	950	1300	1500	2000
3-Stage	HVT 550	2430	1915	5500	6430	3 / 6'	700	750	1100	1200	1600
3-Stage	HVT 600	2655	2140	6000	7030	3 / 6'	450	500	700	800	1100

Note: 1) Available with front dual drive only.

SPECIFICATIONS

GENERAL				VOLTAS	VOLTAS	VOLTAS	VOLTAS
1	MANUFACTURER			DXV 15 ECO	DXV 20 ECO	DXV 25 ECO	DXV 30 ECO
2	MODEL			1500	2000	2500	3000
3	CAPACITY	KG		500	500	500	500
4	LOAD CENTER	MM		DIESEL	DIESEL	DIESEL	DIESEL
5	POWER UNIT			PNEUMATIC - STD	PNEUMATIC - STD	PNEUMATIC - STD	PNEUMATIC - STD
6	TYRES			3000	3000	3000	3000
7	LIFT HEIGHT STD MAST	MM	H3	164	140	140	145
8	FREE LIFT WITH STD HVM MAST	MM	F	2A	2A	2A	3A
9	FORK CARRIAGE			40 X 100 X 1000	40 X 100 X 1000	40 X 100 X 1000	45 X 125 X 1000
10	FORK DIMENSIONS	MM		6 / 12	6 / 12	6 / 12	6 / 12
11	TILT ANGLE WITH HVM	DEG		2235	2510	2580	2720
12	LENGTH TO FACE OF FORKS	MM	A1	1095	1150	1150	1225
13	OVERALL WIDTH	MM	B1	1995	1995	1995	2070
14	OVERALL DIMENSIONS WITH STD HVM MAST	MM	H1	4030	4037	4037	4272
15	HEIGHT WITH COLLAPSED MAST	MM		2075	2060	2060	2090
16	HEIGHT WITH EXTENDED MAST & LBR	MM	H2	1960	2170	2240	2460
17	HEIGHT OF CANOPY GUARD	MM	R	436	482	482	500
18	TURNING RADIUS	MM	A3	1780	1920	2010	2110
19	FRONT OVERHANG	MM	X	3155	3780	3850	3990
20	AISLE WIDTH	MM	RASA	13.5 / 14.5	17 / 19	17 / 19	17 / 19
21	SPEEDS WITH STD HVM	KMPH		450 / 510	450 / 510	550 / 600	400 / 450
22	TRAVEL - LADEN / UNLADEN	MM/S		20	20	20	18
23	LIFTING - LADEN / UNLADEN	%		HYDROSTATIC	HYDROSTATIC	HYDROSTATIC	HYDROSTATIC
24	LADEN			4240 / 2740	5550 / 3550	6380 / 3880	7380 / 4380
25	GRADABILITY**			2 / 2	2 / 2	2 / 2	2 / 2
26	POWER STEERING	KG		6.50 X 10 - 10PR	7.00 X 12 - 12PR	7.00 X 12 - 12PR	28 X 9 X 15-14PR
27	LADEN / UNLADEN	NO		5.00 X 8 - 10PR	6.00 X 9 - 10PR	6.00 X 9 - 10PR	6.50 X 10 - 10PR
28	NO - FRONT / REAR	MM		1400	1600	1600	1700
29	SIZE - FRONT	MM	A2	890 / 920	970 / 970	970 / 970	1000 / 970
30	SIZE - REAR	MM	B2/B3	115	105	105	135
31	WHEEL BASE	MM		HYDRAULIC	HYDRAULIC	HYDRAULIC	HYDRAULIC
32	FRONT / REAR	MM		MECHANICAL	MECHANICAL	MECHANICAL	MECHANICAL
33	UNDER FRAME			SUITABLE REPUTED	SUITABLE REPUTED	SUITABLE REPUTED	SUITABLE REPUTED
34	SERVICE			APPX40	APPX50	APPX50	APPX60
35	PARKING			APPX2600	APPX2000	APPX2000	APPX2000
36	MANUFACTURER / MODEL	KW		131 @ 1800	156 @ 1700 - 1900	156 @ 1700 - 1900	191 @ 1600 - 1800
37	RATED HP AS PER IS 10000	RPM		MECHANICAL	MECHANICAL	MECHANICAL	MECHANICAL
38	RATED RPM			2 / 2	2 / 2	2 / 2	2 / 2
39	RATED TORQUE (Nm @ RPM)			MANUAL	MANUAL	MANUAL	MANUAL
40	TRANSMISSION			ELECTRIC	ELECTRIC	ELECTRIC	ELECTRIC
	NO OF SPEEDS			1 / 1	1 / 1	1 / 1	1 / 1
	GEAR SHIFT			2 / 2	2 / 2	2 / 2	2 / 2

F:\MKT\MH:302:112:00

SAFETY: TRUCK CONFORMS TO STABILITY REQUIREMENT AS PER 'BIS 7 "ISO" STANDARDS. ALL SPECIFICATIONS ARE SUBJECT TO +/- 12% TOLERANCE APART FROM THOSE GOVERNED BY BIS DUE TO CONTINUOUS DESIGN IMPROVEMENTS THE SPECIFICATIONS ARE SUBJECT TO CHANGE WITHOUT NOTICE.

SALIENT FEATURES of DVXECO

- Stage-II Complaint watercooled Diesel Engine of adequate capacity.
- Wide View Mast for clear front visibility.
- Option of Manual or Automatic Transmission system.
- Effective Braking System
- Adjustable Steering column.
- Air intake from top of canopy.
- Smooth Gear Shifting Mechanism.
- Hand assisted access grip.
- Wide Operator Entry Exit Step.
- Ample Operator leg room.
- Cowl mounted control valve.
- Elegant Instrument Panel.
- Bottom exhaust.



EQUIPMENTS

- **DIESEL FORKLIFTS** : 1.5 T to 6T capacity and Zone II upgradation in 1.5T to 3T FC
- **ELECTRIC FORKLIFTS (AC / DC DRIVE)** : 1.5T to 3T capacity
- **EMPTY CONTAINER HANDLERS** : 15T Capacity for handling 20' & 40' empty containers
- **TCM, JAPAN FORKLIFTS** : 1.5 to 42T Capacity Diesel / 1.5 to 7T Capacity LPG / 1.0 to 3.5T Capacity Battery / 1.6 T to 1.8T Capacity Battery 3 wheeler
- **ROUGH TERRAIN CRANES** : 18T to 45T Capacity Diesel
- **YARD CRANES WITH 360 DEGREE SWIVEL** : 8T / 10T Capacity Diesel
- **HAND PALLET AND POWER PALLET TRUCK** : 2.5T & 2T respectively
- **WAREHOUSING EQUIPMENTS** : Pallet Trucks upto 3T / Power Pallet Trucks upto 2.4T / Stackers upto 2T & 5.4M lift / Reach Trucks upto 2.5T & 11.5M lift / Order Pickers -manufactured by BT Sweden
- **CONTAINER HANDLING REACH STACKERS** : 45T Capacity, manufactured by Konecranes AB, Sweden
- **SIDE LOADERS, BAUMANN, ITALY** : 3T TO 5T Capacity Diesel /LPG / Battery. 6 to 40T Capacity Diesel

The specifications are subject to change without prior notice. Please contact our nearest office for latest specifications



VOLTAS LIMITED

MATERIALS HANDLING BUSINESS DIVISION

Pokhran Road No.2, Thane (W)-400 601 . India.
Ph: 91-22-67920405 / 200
Fax : 91-22-67920164 / 117
e-mail: enquiriesmhbd@voltas.com
Visit us: www.voltas.com

BRANCHES

Ahmedabad Tel.: 079-66301154 ● Bangalore Tel.: 080-22272488 ● Chennai Tel.: 044-66760323
Jamshedpur Tel.: 0657-6518804 ● Kochi Tel.: 0484 - 6605508 ● Kolkata Tel.: 033-22540341
Mumbai Tel.: 022-66656695 ● Nagpur Tel.: 0712-6454868 ● New Delhi Tel.: 011-66505511
Pune Tel.: 020-66046614 ● Secundrabad Tel.: 040-66500458 ● Visakhapatnam Tel.: 0891-2562096

AREA OFFICES

Bhubaneshwar Cell.: 9437695094 ● Chandigarh Cell.: 9878052501 ● Coimbatore Cell.: 9940077268
Guwahati Cell.: 9954544473 ● Hubli Cell.: 9880925188 ● Indore Cell.: 9993044026
Jamnagar Cell.: 9824272776 ● Lucknow Cell.: 9839362239 ● Madurai Cell.: 9840234189
Pantnagar Cell.: 9213243487 ● Thiruvananthapuram Cell.: 9495603908



TUV NORD